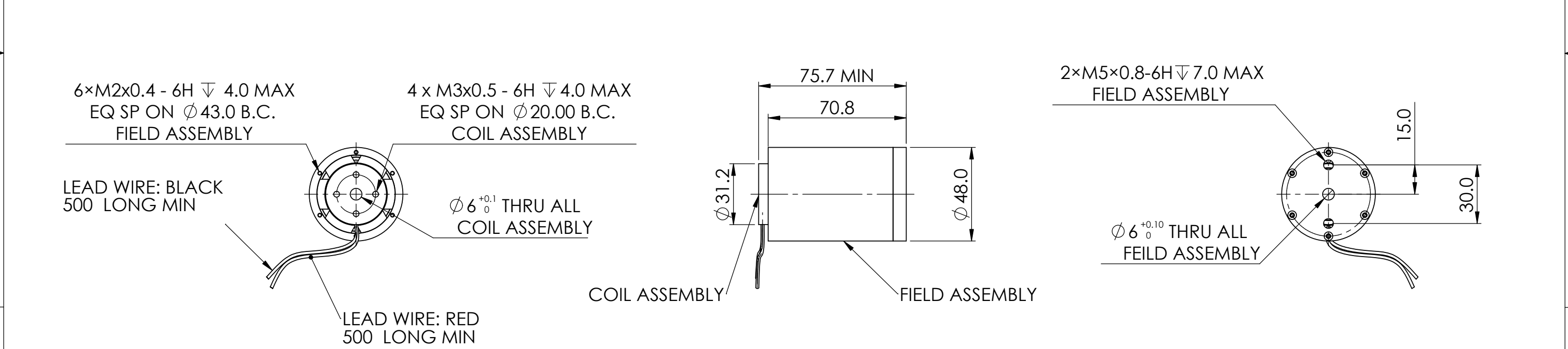
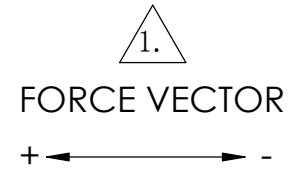
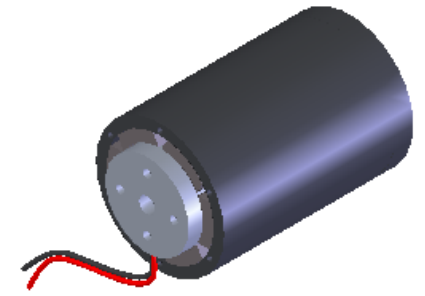


WINDING CONSTANT	TOL	SYM	VALUE	UNITS
DC RESISTANCE	± 10%	R	2.6	OHMS
VOLTAGE @ Fp	NOMINAL	Vp	14.3	VOLTS
CURRENT @ Fp	NOMINAL	Ip	5.5	AMPS
FORCE SENSITIVITY	± 7.5%	Kf	4	N / A
BACK EMF CONSTANT	NOMINAL	Kb	4	V/M/Sec
INDUCTANCE*****	± 30%	L	0.64	mH
ACTUATOR PARAMETER		SYM	VALUE	UNITS
PEAK FORCE *		Fp	22	N
CONTINUOUS FORCE **		Fc	11.4	N
CONTINUOUS FORCE WITH HEAT SINK		Fc	17.5	N
ACTUATOR CONSTANT		Ka	2.48	N/√w
ELECT TIME CONSTANT		Te	0.25	milli-sec
POWER I2R@Fp		Pp	79	W
TOTAL STROKE		S	44.8	mm
CLEARANCE ON SIDE OF COIL		CL	0.4	mm
THERMAL RESISTANCE ***		θth	5.9	C / W
THERMAL RESISTANCE WITE HEAT SINK****		θth	2.5	C / W
MAX WINDING TEMP		Tmax	150	C
WEIGHT OF COIL ASSEMBLY		WTc	52	g
WEIGHT OF FIELD ASSEMBLY		WTf	789	g
WEIGHT OF ACTUATOR		WTa	841	g

* 10 sec @ 25C ambient, 150C coil temp.
 ** 25C ambient, 150C coil temp.
 *** In free air.
 **** Measured with 250×250×10mm heat sink.
 ***** Measured with BK PRECISION 875B.

REV	ECO NO.	DESCRIPTION	DRN	APP'D	DATE
X1	---	INITIAL RELEASE	WYG	FCL	06/09/29



2.INSULATION RESISANCE:100 MEGOHMS MINIMUM AT 500 VDC.
 ▲A POSITIVE(+)VOLTAGE APPLIED TO THE RED LEAD WILL PRODUCE A FORCE ON THE COIL ASSEMBLY IN POSITIVE (+) DIRECTION.
 NOTES:UNLESS OTHERWISE SPECIFIED

UNLESS OTHERWISE SPECIFIED:		NAME	DATE	Suzhou, China
DIMENSIONS ARE IN MM TOLERANCES: ANGULAR: MACH±0° 30' ONE PLACE DECIMAL ±0.25 TWO PLACE DECIMAL ±0.1		DRAWN	WYG 06-09-20	
PROPRIETARY AND CONFIDENTIAL THE INFORMATION CONTAINED IN THIS DRAWING IS THE SOLE PROPERTY OF USAS MOTION - SUZHOU, CHINA. ANY REPRODUCTION IN PART OR AS A WHOLE WITHOUT THE WRITTEN PERMISSION OF USAS MOTION - SUZHOU, CHINA IS PROHIBITED.		CHECKED		TITLE: <h1>LINEAR ACTUATOR</h1>
		ENG APPR.	FCL 06-09-20	
INTERPRET GEOMETRIC TOLERANCING PER: ANSI Y14.5M-1982 		MFG APPR.		SIZE B
		Q.A.	WYG 06-09-20	
		COMMENTS:		DWG. NO. VLR0022-0448-00A
				REV X1
				SCALE: 1: 1
				SHEET 1 OF 1

DO NOT SCALE DRAWING